



BEAVER TECHNOLOGY SERVICES

TUFFSTEP



The Lightweight, Easy to Use, Adjustable Access System



Engineered portable stairs and walkways for accessing difficult sites

EMPOWERED BY INNOVATION

Single Narrow Step

18" (460 mm)

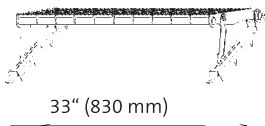


10001 Single Narrow Step – Adjustable

Heavy duty non-slip plastic treads. Measures 780 mm x 250 mm. 50° Adjustment to ground slope. Unlimited number of steps may be used together, with or without connection pin. Each step weighs 3.3 kg. Maximum load is 250 kg per step.



Single Wide Step



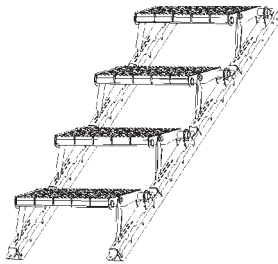
33" (830 mm)

10002 Single Wide Step – Adjustable

Heavy duty non-slip plastic treads. Measures 780 mm x 250 mm. 50° Adjustment to ground slope. Unlimited number of steps may be used together, with or without connection pin. Each step weighs 3.3 kg. Maximum load is 250 kg per step.



Narrow Stair Section



10003 Adjustable Narrow Stair Section

1500 mm long

4 Narrow Steps mounted on an aluminum support. Can be disassembled. Railing Optional
10003

10048 Narrow Stair Section

3000 mm long

8 Narrow Steps mounted on an aluminum support. Can be disassembled. Railing optional.
10048

10005 Narrow Stair Section

1500 mm long

4 Narrow Steps mounted on a steel support. Can be disassembled. Railing Optional
10005

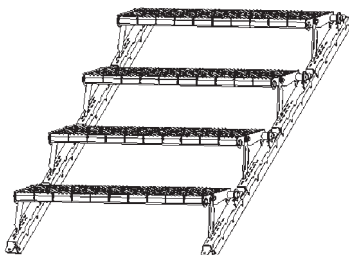
10007 Narrow Stair Section

1500 mm long

4 Narrow Steps mounted on a steel support. Can not be disassembled. Railing Optional



Narrow Stair Section



10004 Adjustable Wide Stair Section

1500 mm long

4 Wide Steps mounted on an aluminum support. Can be disassembled. Railing Optional

10049 Wide Stair Section

3000 mm long

8 Wide Steps mounted on an aluminum support. Can be disassembled. Railing Optional

10006 Wide Stair Section

1500 mm long

4 Wide Steps mounted on a steel support. Can be disassembled. Railing Optional

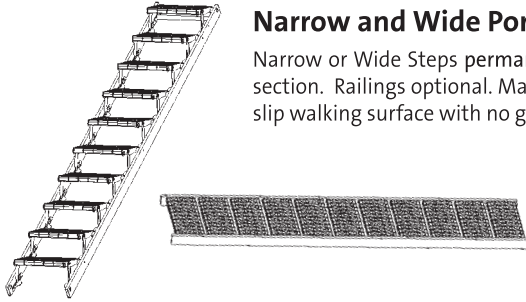
10008 Wide Stair Section

1500 mm long

4 Wide Steps mounted on a steel support. Can not be disassembled. Railing Optional



Portable Walkway or Ramp



Narrow and Wide Portable Walkway or Ramp

Narrow or Wide Steps permanently attached to aluminum supports, ranging from 6 to 18 steps per section. Railings optional. May fold flat to create ramp. When used as ramp will provide smooth non-slip walking surface with no gaps. Maximum load is (250 kg) per section.



Narrow	
Part Number	# Steps/Approx Overall Length
10070	(1700 mm)
10072	(2300 mm)
10074	(2900 mm)
10076	(3500 mm)
10078	(4100 mm)
10080	(4700 mm)
10100	(5300 mm)

Wide	
Part Number	# Steps/Approx Overall Length
10071	(1700 mm)
10073	(2300 mm)
10075	(2900 mm)
10077	(3500 mm)
10079	(4100 mm)
10081	(4700 mm)
10101	(5300 mm)

Portable Walkway or Ramp



Narrow and Wide Flat Ramp

Narrow or Wide Flat Ramp, non-adjustable. Railings optional. May be used for bridging holes, on slopes or flat surfaces. Approx. (1800 mm) to (3800 mm) in length. Maximum load (250 kg) per section.

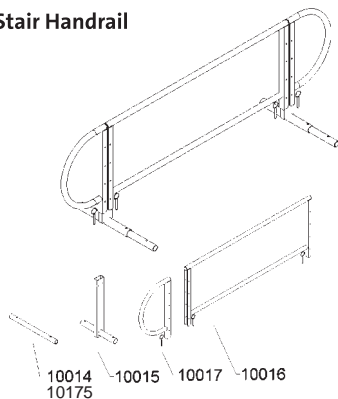
Narrow	
Part Number	Approx. Length
10084	(1800 mm)
10086	(2300 mm)
10088	(2800 mm)
10090	(3300 mm)
10092	(3800 mm)

Wide	
Part Number	Approx. Length
10085	(1800 mm)
10087	(2300 mm)
10089	(2800 mm)
10091	(3300 mm)
10093	(3800 mm)



Portable Walkway or Ramp

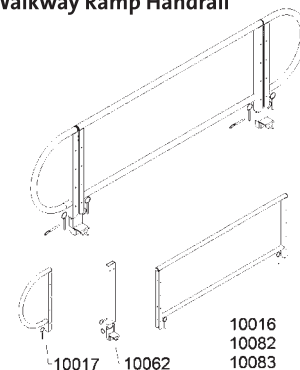
Stair Handrail



Stair Handrail Parts	
Part Number	Description
10014	Connection Tube Narrow
10015	Post (Stair & Steps)
10016	Centerpiece, length (1500 mm)
10017	End Rail
10175	Connection Tube Wide



Walkway Ramp Handrail



Walkway Ramp Handrail Parts	
Part Number	Description
10016	Centerpiece
10082	Centerpiece – (2500 mm) long
10083	Adjustable Centerpiece (1500 mm) to (2500 mm)
10017	End rail
10062	Post (walkway only)

Support Tubes & Accessories

Support Tubes	
Part Number	Description
10042	Right Aluminum Support Tube c/w built-in steel step support
10043	Left Aluminum Support Tube c/w built-in steel step support
10045	Steel Support Tube
10046	Aluminum Support Tube – 59" (1500 mm) long
10047	Aluminum Support Tube – 118" (3000 mm) long

Accessories	
Part Number	Description
10020	Anchor Pin
10056	Retaining Pin – 2 (65 mm)
10066	Retaining Pin – 4 (115 mm)
10057	Foot Pad
10060	Large Attachment Hook
10061	Small Attachment Hook
10067	Reinforcing Connecting Bar
10120	End Stop
10160	Bottom End Stop
10165	Top End Stop
10171	Handrail Plug

Applications

Tuff Step provides temporary safe working access to a range of sloped surfaces where standard anchoring is possible. The Tuff Step system may be used as individual stairs or joined together for longer reach. Ideal for road/rail embankments, river banks, gravel pits, earth retaining walls, access to accident sites, construction sites, vehicles, general undulating terrain and temporary access between building levels. Tuff Step provides safe temporary bridging over small holes and uneven terrain.





BEAVER TECHNOLOGY SERVICES

TUFFSTEP



Handy Access Kit

Provides Safe Access on Slopes up to 55°

Modular kit supplied in 10 metre lengths

Ideal for Emergency Response, Rescue, Marine & Riverbank Work, Railroads, Municipal Access, Bridgework and Construction

EMPOWERED BY INNOVATION

TUFFSTEP - Handy Access Kit

How to Use



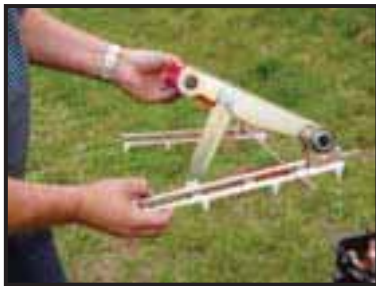
Kit includes:

1 Durable, Wheeled Heavy Duty Plastic Transport & Storage Case

13 #10001 Single Tuff Steps

26 #10020 Retaining Pins

This kit will provide safe access for between 5 metres and 10 metres



Remove Tuff Step (#10001) from Case.

Set Adjustable Supports (Secure with Pin if Appropriate)

so Tuff Step will Provide Level Footing When Placed on Slope.



Place Tuff Step (#10001) on Slope in Desired Location. Press Firmly in Ground so that Teeth on Step are Securely Set into Slope. Tuff Step (#10001) May Either be Placed Together or Placed up to 30 centimetres apart.



If Placed Together Place Upper Tuff Step (#10001) so that Bottom Anchor Holes Overlap the Top Anchor Holes of the Lower Unit. If the Slope has Loose or Unsettled Soil or Longer Term Use is Desired Set the Retaining Pins (#10020) into the Top Anchor Hole of the Tuff Step (#10001) and Press Firmly into the Ground.



Specifications:

Total Kit Weight 51 Kg.

Includes wheeled case

Kit contains: 13 #10001 Tuff Step

26 #10020 Retaining Pins

Kit Will Provide Safe Access for Between 5 and 10 metres.

