

# **bts** BEAVER TECHNOLOGY SERVICES

## HORIZONTAL ENTRY SYSTEMS & ACCESSORIES

Tuff Built's Horizontal Entry System is designed for confined space entry/retrieval and rescue operations involving horizontal entries with vertical position or retrieval required inside the space. The Horizontal Entry System may be used with a Clamp on or Bolt on Tank Collar base for adaptation to different man ways.

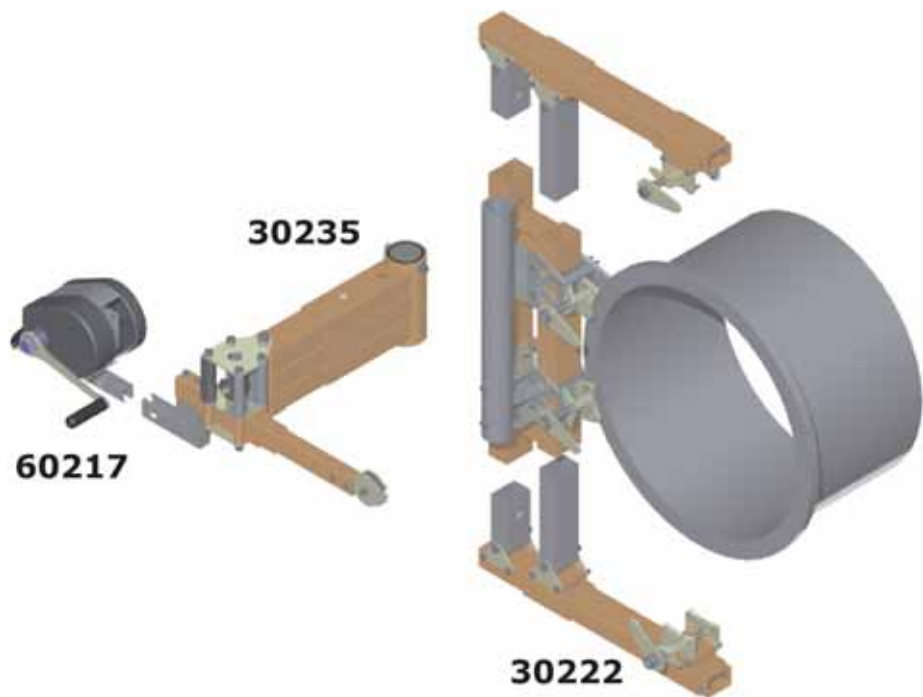
The system may also be used with a permanently installed base and extension Post (30234).

The Horizontal Entry System can be used with a Portable / Adjustable Base.



This product complies with  
ANSI Z117.1  
OSHA 1926.502  
ANSI/ASSE Z359.1

The Horizontal Entry System can be used in a variety of Permanent bases for a number of applications.



Note: Winch (60217) & Base (30080) are not included.

Base External Clamp-on w/ Mast (30222) can be assembled for Left or Right entry requirements.

The standard setup accommodates a collar size of  $\varnothing 406\text{mm}$  to  $\varnothing 762\text{mm}$ , the base can be assembled for collar sizes of  $\varnothing 889\text{mm}$  to  $\varnothing 1372\text{mm}$ .

### Permanent Base Options



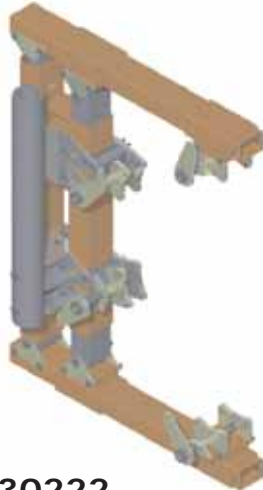
The Horizontal Entry Systems can be used with a variety of Permanent Bases.

# HORIZONTAL ENTRY SYSTEM COMPONENTS AND ACCESSORIES

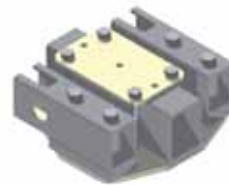
Part#	Description	Weight
30235	Arm Assembly, Horizontal Entry System	22.3 kg
30234	Support Mast, 1829mm	12.5 kg
30275	Support Mast, 660mm	4.5 kg
30222	Base, Clamp-On Horizontal Entry w/ Mast (30275)	43.6 kg
30276	Base, Bolt-On Horizontal Entry w/ Mast (30275)	32.3 kg
60211	Bracket, SRL with Retrieval Capability mount	1.8 kg
60212	Bracket, Pro-2 / Pro-3 Winch Mount for Horizontal Entry System	2.7 kg
20073	Package, Horizontal Entry System (30235, 30222, & 60217)	71.8 kg



**30276**  
Base, Bolt-on Horizontal Entry w/ Mast (30275)



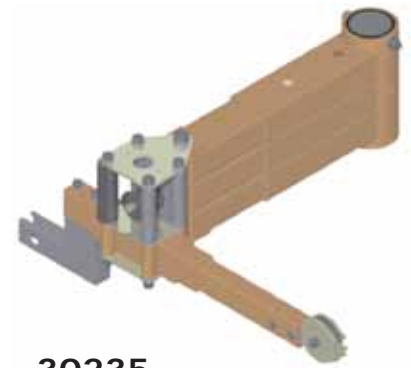
**30222**  
Base, External Clamp Horizontal Entry w/ Mast (30275)



**60212**



**60211**



**30235**  
Arm Assembly, Horizontal Entry System

Bases 30276 and 30222 can be assembled for Left or Right entry requirements.

**30276;** The standard setup accommodates a BCD of  $\varnothing 318\text{mm}$  to  $\varnothing 813\text{mm}$ , the base can be assembled for BCD's of  $\varnothing 718\text{mm}$  to  $\varnothing 1219\text{mm}$ .

**30222;** The standard setup accommodates a collar size of  $\varnothing 406\text{mm}$  to  $\varnothing 762\text{mm}$ , the base can be assembled for collar sizes of  $\varnothing 889\text{mm}$  to  $\varnothing 1372\text{mm}$ .



**20073**  
Package, Horizontal Entry System  
30235; Arm Assembly Horizontal Entry  
30222; Base, External Clamp-on w/ 30275  
60217; Pro-1 Winch w/ 60 ft SS (w/ Brackets)